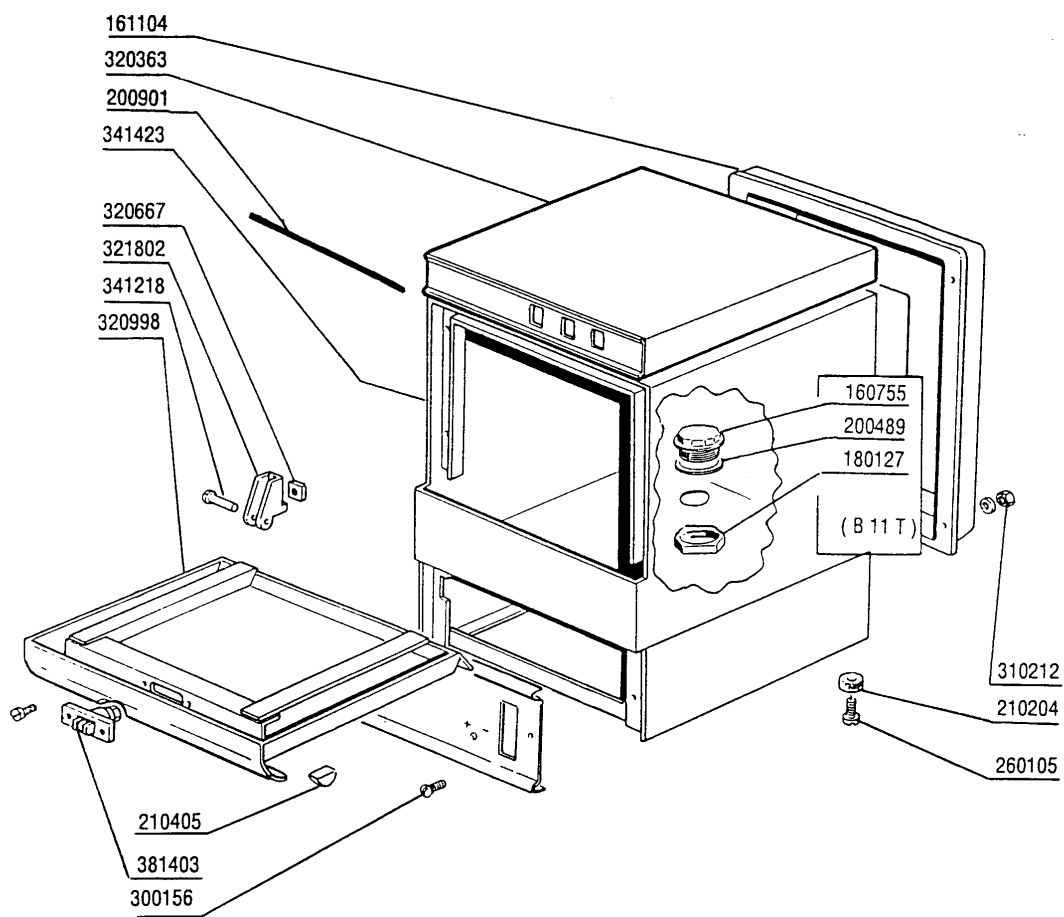
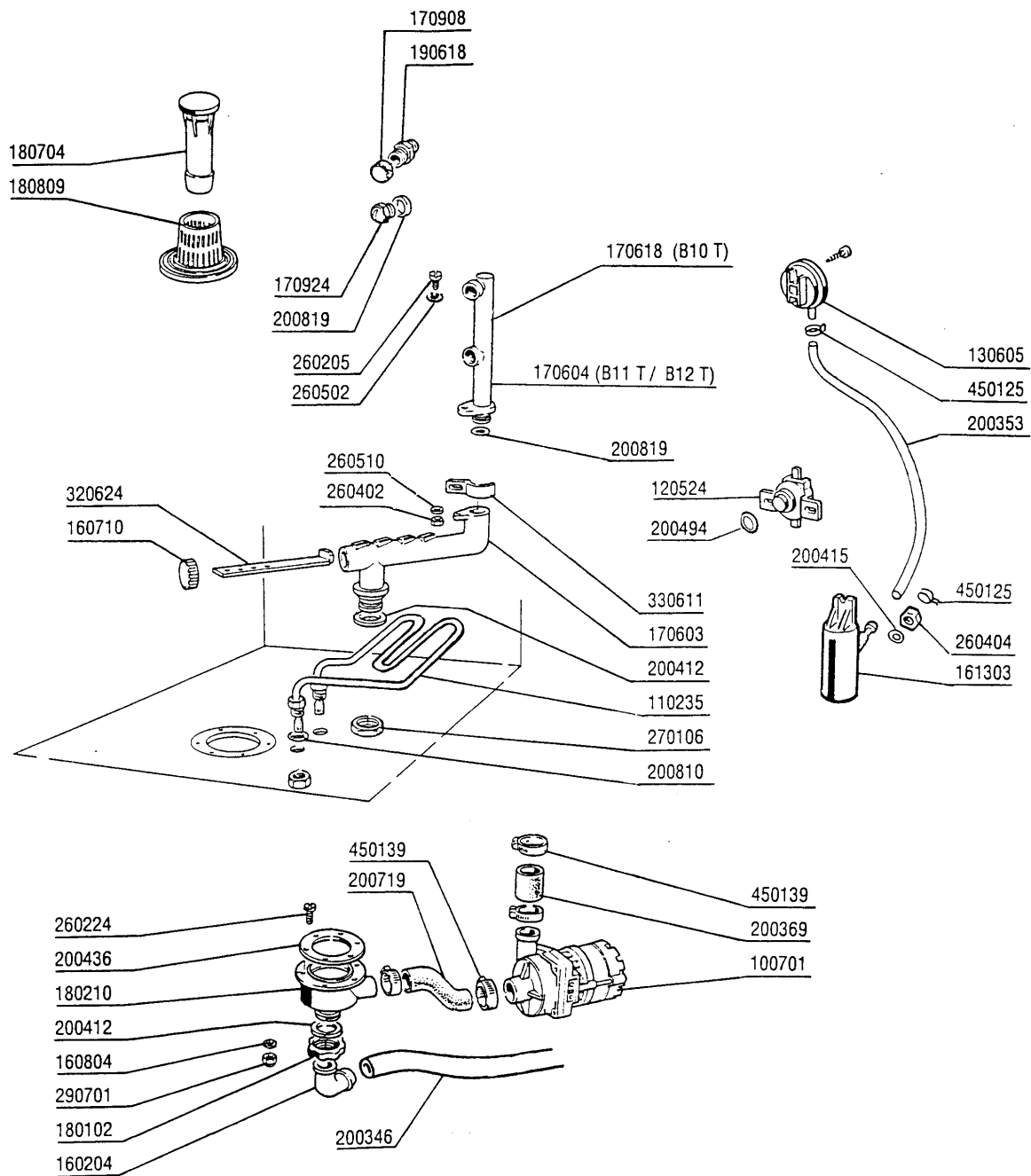


2 - Hood B11T - B12T



2 - Hood B11T - B12T

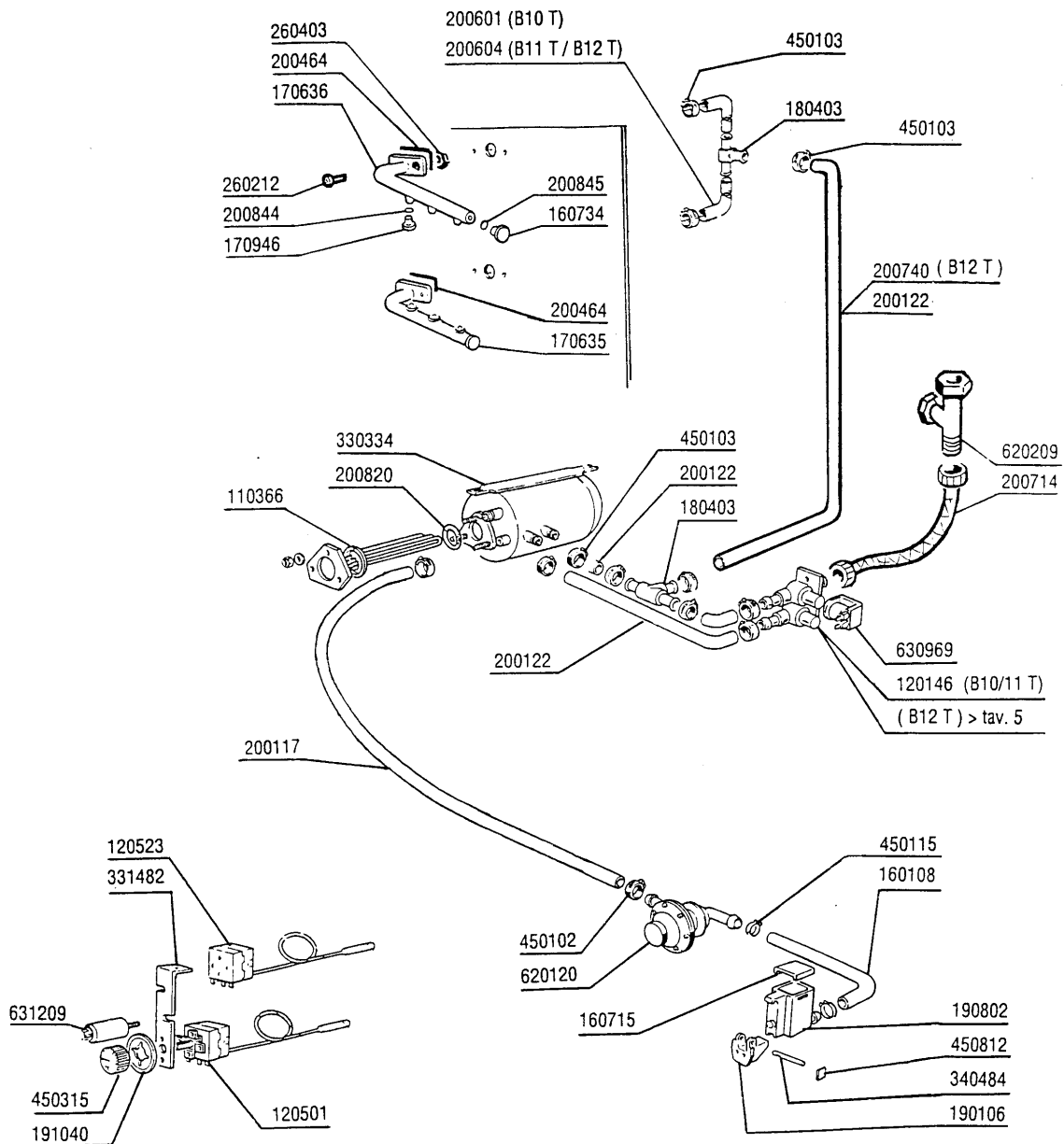
CODE	DESCRIPTION
160755	PLUG FOR MACHINES WITHOUT SOFT
161104	BACK PANEL B25-11-12-18‡
180127	LOCK NUT FOR PLUG
200489	GASKET 81X68X3
200901	DOOR GASKET B-F
210204	FOOT FOR B20-10-11-12-15 ‡
210405	PLUG FOR HANDLE
260105	SCREW TE 6X20
300156	SCREW 5MAX20 F.PLATE B10
310212	BLIND NUT M6 BLACK NYLON
320363	TOP PANEL B11T-B12T
320667	DOOR SUPPORT REINFORCEMENT
320998	DOOR
321802	DOOR HINGE B-F
341218	HINGE PIN B-F-G
341423	HOOD B11T-B12T
381403	DOOR CATCH



3 - Wash

CODE	DESCRIPTION
100701	PUMP HP 0,2 220/240V-50-2228
110235	HEAT. ELEMENT/TANK 1800W 230V
120524	TANKTHERMOSTAT GLASSWASHER
130605	PRESSURE SWITCH 50-30 1 LEVEL
160204	ELBOW F. DRAIN - GLASS WASHER
160710	PLUG OF WASHPIPE B23-27-10-11
160804	GASKET D.6
161303	AIR TRAP GLASSWASHER
170603	LOWER WASH PIPE B23-27-10-11
170604	SIDE WASH PIPE B23-12T
170618	UPPER WASH PIPE B20-B10T
170908	NOZZLE WASH B23-10-12
170924	NOZZLE WASH B23-10-11-12
180102	DRAIN PIPE NUT 1"1/2 F45-55
180210	PUMP INLET B20-23-10-11-12
180704	OVERFLOW PIPE B23-10-11-12/160
180809	STRAINER B23-27-10-12
190618	DEFLECTOR OF WASHNOZ. B23-10-1
200346	DRAIN HOSE GLASSWASHER
200353	PRESS.SWITCH HOSE B23-10-1-2-C
200369	OUTLET HOSE 28X36X45 B23-10-1-
200412	GASKET DRAIN 11/2" 45X33X3
200415	AIR TRAP GASKET -F2 18,5X10X3
200436	GASKET PUMP SUCTION B23-27
200494	GASKET FOR TANKTHERMOSTAT BT
200719	INLET HOSE B23-10-1-2
200810	O-RING 2,62X9,92X15,6 F.GLASSW
200819	O-RING 17,13X21,65 3068
260205	SCREW TCP 4X16
260224	TB-SCREW 6X15 B23-10-11-12
260402	STAINLESS STEEL NUT D4 UNI 55
260404	STAINLESS STEEL NUTS D6 UNI 55
260502	S/S FLAT WASHER D.4
260510	GROWER WASHER D.4
270106	LOCK NUT 1"
290701	HEXAGON BLIND NUTS GM H12
320624	PLATE LOWER WASHPIPE B10-12T
330611	SIDE WASH ARM BRACKET B10T-B12
450125	ELASTIC CLAMP D. 10,4X9,8
450139	CLAMP 26-38 H=9

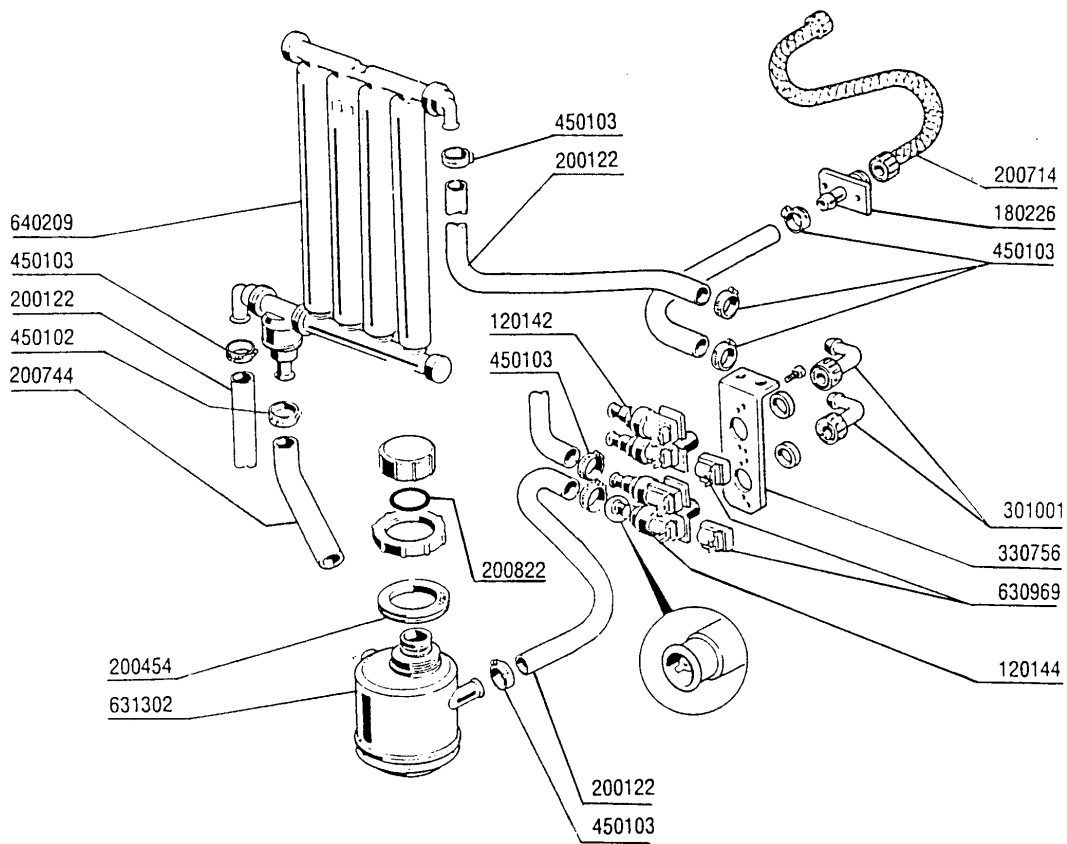
4 - Rinse assembly



4 - Rinse assembly

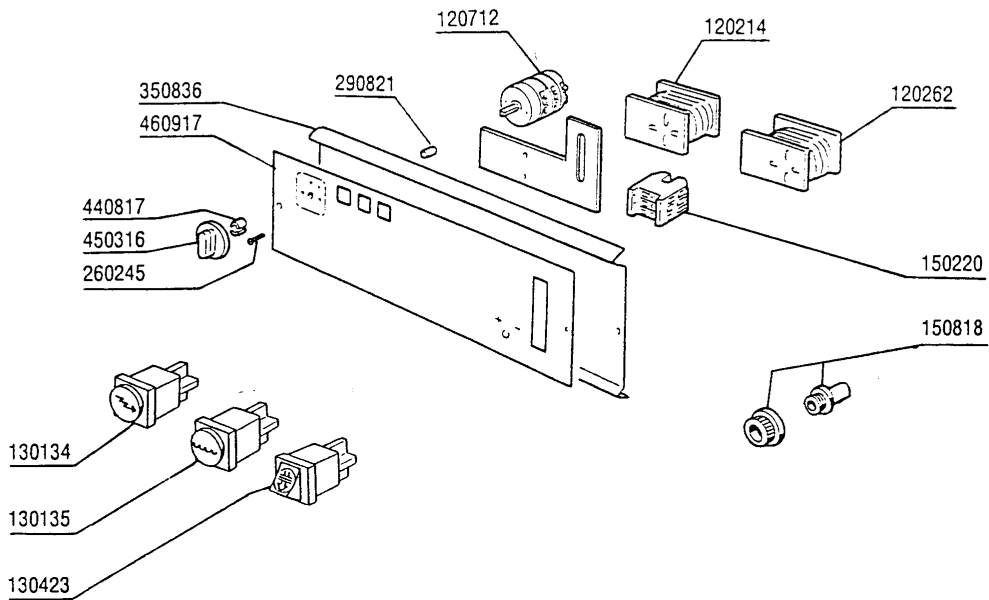
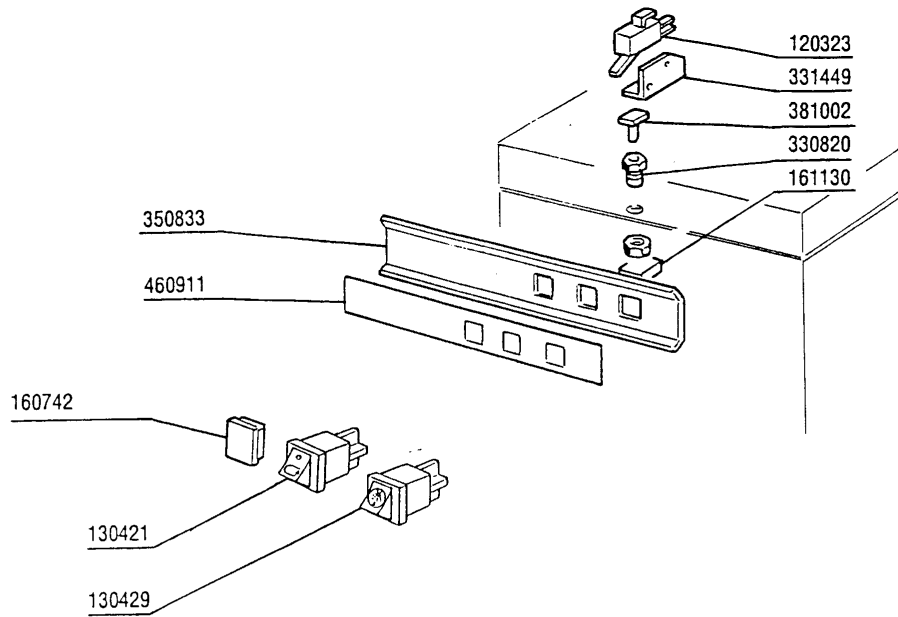
CODE	DESCRIPTION
110366	HEAT.ELEM./BOILER 3200W 230V
120146	SOLENOID VALVE 180Ø TYPE 2 WAY
120501	THERMOSTAT 30/90ØC
120523	SAFETY THERMOSTAT 110Ø
160108	INJECT.INLET HOSE D.8X5
160715	COVER FOR RINSE AID CONTAINER
160734	END PLUGS RINSE ARM
170635	LOWER RINSE ARM ASSEMBLY B10-1
170636	UPPER RINSE ARM ASSEMBLY B10-1
170946	RINSE JET/RINSE ARM B-F
180403	TEE-NIPPLE F2-F300-B10-11
190106	RINSE AID CONTAINER SUPP. B23-
190802	RINSE.AID CONTAINER B20-B41S
191040	FRAME F.THERMOSTAT KNOB
200117	RUBBER HOSE 7X16
200122	HOSE 11X19
200464	GASKET 60X30 FOR RINSE HOSE B1
200601	RINSE HOSE B20-B10
200604	RINSE HOSE B23-B11-2-5
200714	GLASSWASHER INLET HOSE
200740	RINSE CONNECTING HOSE B12 ‡
200820	O-RING151 46,99X5,33X57,6
200844	O RING 2X9,5X13,5
200845	O RING 109 2,62X9,13X14,37
260212	SCREW TCP 5X20
260403	NUTS D.5
330334	BOILER GLASSWASHER B10-B19T
331482	BRACKET FOR 2 THERMOST. B-F20
340484	SHAFT F. RINSE AID CONTAINER
450102	CLAMP FE ZN 11-17 H=9
450103	CLAMP FE ZN. 13-20 H=9
450115	ELASTIC CLAMP D.8,3/7,8
450315	KNOB F. THERMOSTAT 90Ø
450812	SPRING FOR SPINDLE (CODE NO.34
620120	RINSE AID INJECTOR
620209	INLET WATER FILTER
630969	COIL S4216 220/50HZ
631209	ANTI-NOISE FILTER

5 - Water softener



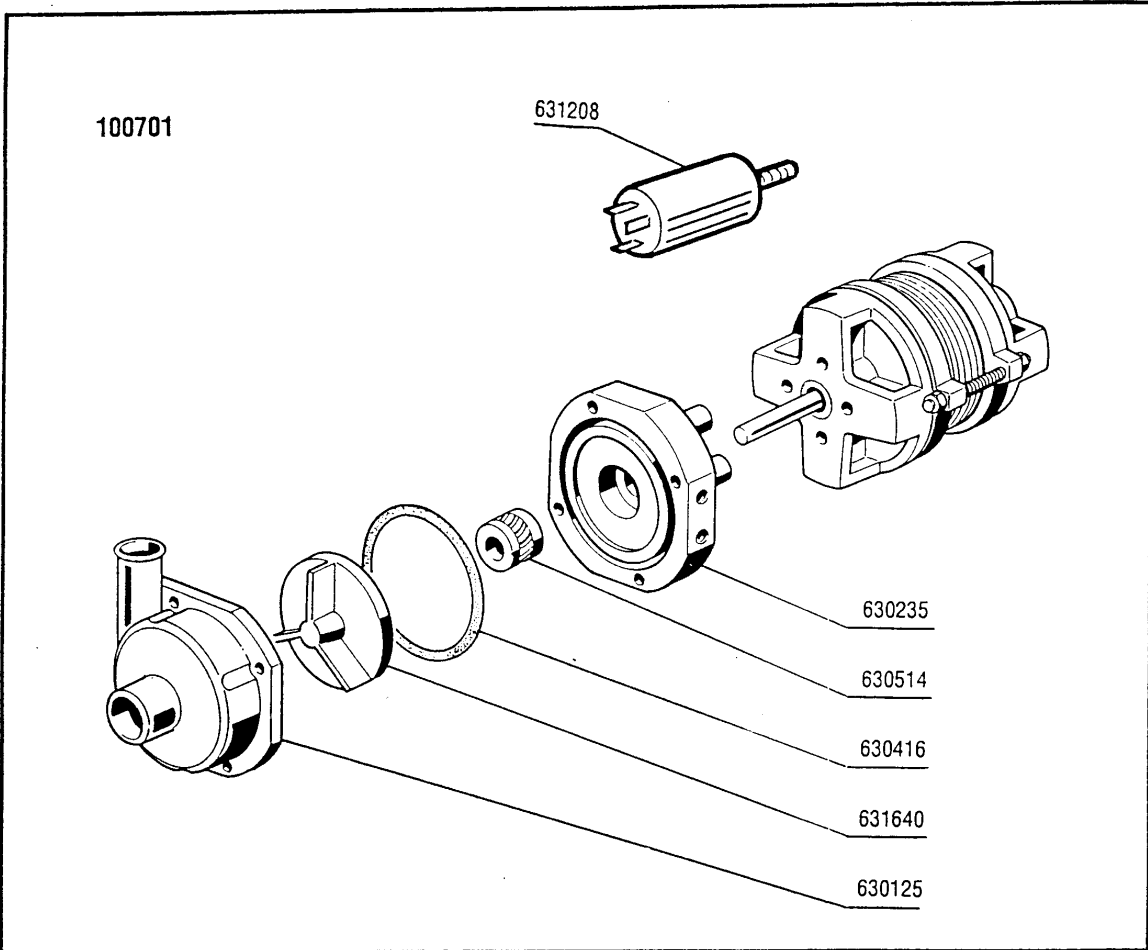
5 - Water softener

CODE	DESCRIPTION
120142	SOLENOID VALVE 90°2WAYS 220V
120144	SOLENOID VALVE FCA 20 LT TYPE
180226	CONNECTING FLANGE F. GLASSWASH
200122	HOSE 11X19
200454	GASKET F. SALT CONT.
200714	GLASSWASHER INLET HOSE
200744	HOSE FOR WATER SOFTENER B12‡
200822	PLUG GASKET OF SALT CONTAINER
301001	NIPPLE FE-ZN 3/4"
330756	SOLENOID VALVE BRACKET BT
450102	CLAMP FE ZN 11-17 H=9
450103	CLAMP FE ZN. 13-20 H=9
630969	COIL S4216 220/50HZ
631302	SALT CONTAINER
640209	WATER SOFTENER (4 COLUMNS)



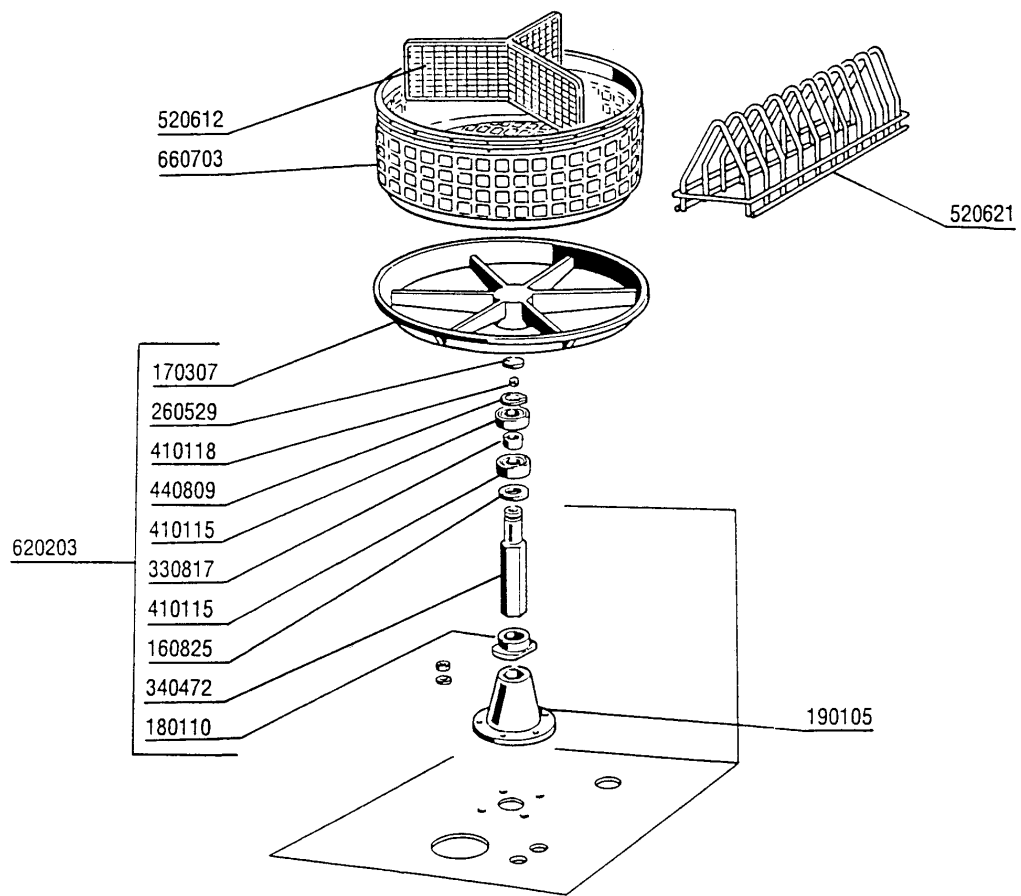
6 - Control Box B12T

CODE	DESCRIPTION
120214	TIMER REGENERATION 20V/220 (4
120262	TIMER IMP. 4 CAMS 120"
120323	MICRO SWITCH WITH LEVER
120712	2-POLES SWITCH 16AMP
130134	PILOT LAMP 220V
130135	PILOT LAMP: MACHINE READY B10>
130421	SWITCH CYCLE START WORKING MAC
130423	PUSH BUTTON REGENERATION B-BT
130429	PUSH BUTTON COLD RINSE B11T-B1
150220	TERMINAL BLOCK 3P 16MM 8VA
150818	CABLE HOLDER PG 13,5
160742	PLUG (460307)
161130	DOOR MICRO SWITCH PROTECTION
260245	SPECIAL SCREW TC 3,5X16
290821	DISTANCE PIECE FOR SWITCH
330820	BUSH DOOR SWITCH F2-20-45-5
331449	MICRO SWITCH BRACKET BT
350833	SUPPORT
350836	LOWER PANEL SUPPORT B11T-B12T
381002	PIN F.DOOR MICRO F2-20-45-55
440817	SNAP RING LSCB/1853/17/00
450316	CONTROL KNOB TWO COLOURS B-BT-
460911	UPPER CONTROL PANEL B11T-B12T
460917	LOWER CONTROL PANEL B11T-B12T



7 - Pump

CODE	DESCRIPTION
100701	PUMP HP 0,2 220/240V-50-2228
630125	VOLUTE 0,12/0,3(2212-29)
630235	PUMP COVER 0,12/0,3 2212-19
630416	OR FOR VOLUTE 0,12/0,3
630514	PUMP SEAL FIR4208
631208	CONDENSER 5MF.450V
631640	IMPELLER HP0,20/2212-8/5HZ



8 - Rack

CODE	DESCRIPTION
160825	WASHER 30X12X1 TEFL F.RACKSUPP
170307	RACK SUPPORT B20-B12T
180110	LOCK NUT F.RACKSUPP.B23
190105	WASHING RACK SUPPORT B23-10-11
260529	WASH RACKSUPP.WASHER D24 STAIN
330817	BEARING SPACER GLASSWASH.
340472	SPINDLE RACK SUPPORT GLASSWASH
410115	BALL BEARING 32X12X10 B23/S/S9
410118	BALL D.7MM STAINL.STEEL
440809	SNAP RING D.12 STAINL.ST
520612	.
520621	SAUCERS INSERT
620203	RACK SUPP. B10-11-12
660703	ROUND RACK FOR GLASSWASHERS



9 - Rinse aid injector

CODE	DESCRIPTION
160714	PLUG FOR RINSE AID INJECTOR MO
170701	LOCK NUT 1/2" F.INJECTOR
180306	NIPPLE F.RINSE AID INJECTOR
190107	COVER FOR RINSE AID DISPENSER
190108	VOLUTE FOR RINSE AID DISPENSER
190803	GASKET SUPPORT RING F.INJECT
191018	FILTER SUPPORT RINSE AID INJEC
200444	SUCTION VALVE RINSE INJECTOR
200816	O-RING 2,5X59,2X64,2 RINSE INJ
200825	O-RING 3X5X11 RINSE INJECTOR
200861	O-RING 14X18X2
260142	SCREW TE 4X16
260213	SCREW TCP 5X25
260402	STAINLESS STEEL NUT D4 UNI 55
260404	STAINLESS STEEL NUTS D6 UNI 55
260512	ST/ST GROWER WASHER D6
330543	FILTER RINSE AID INJECTOR D.17
340483	PISTON FOR RINSE AID DISPENSER
381105	DIAPHRAGME DISC
440405	GASKET FOR RINSE AID INJ.
450214	SPRING RINSE AID INJECTOR
620120	RINSE AID INJECTOR
630614	DIAPHRAGM RINSE INJECTOR